

NDP
Double disc refiner.



**Application:**

As an ideal equipment for stock refining, NDP series double disc refiner is equipped with two areas of refining. It is suitable for many kinds of stock refining.

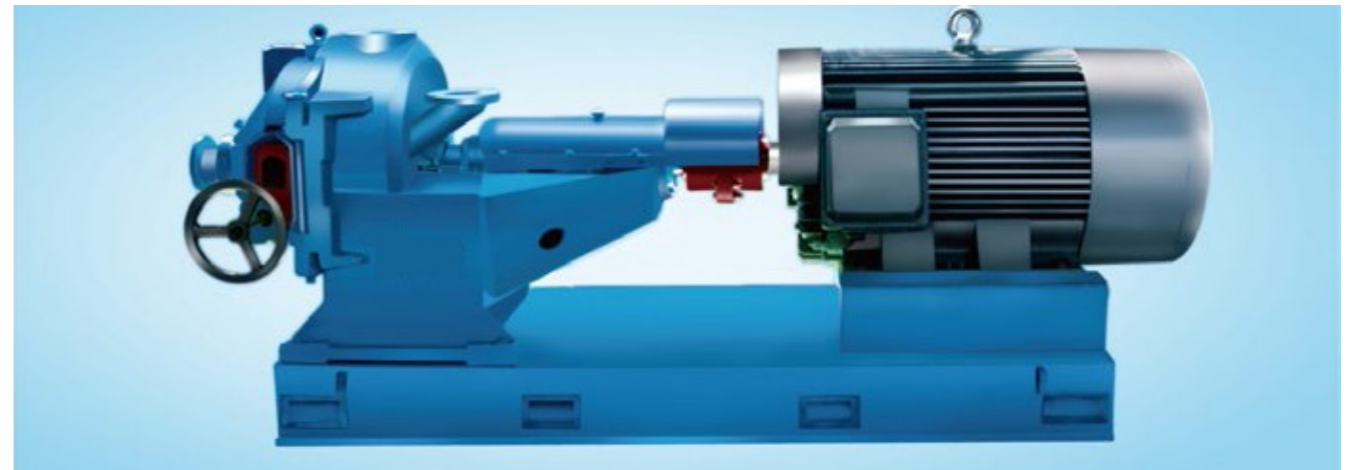
According to technology needs, the double disc refiner of Type NDP11-450, NDP12-500, NDP13-550, NDP14- ϕ 600 can be used as single/double processing.

Design Features:

Compact structure with less area required.

High efficient production with lower power consumption.

Convenient operation and easy maintenance.





Main technical data:

Model	NDP11	NDP12	NDP13	NDP14	NDP15	NDP16	NDP17	NDP18
Refiner Disc Dia(Mm)	φ450	φ500	φ550	φ600	φ660	φ720	φ900	φ1100
Capacity (T/d)	8~80	10~100	10~120	10~150	15~200	15~250	20~400	40~800
Pulp Consistency (%)	2.5~5	2.5~5	2.5~5	2.5~5	2.5~5	2.5~5	2.5~5	2.5~5
Inlet Pressure (Mpa)	0.15~0.25	0.15~0.25	0.15~0.25	0.15~0.25	0.15~0.25	0.15~0.25	0.15~0.25	0.15~0.25
Outlet Pressure (Mpa)	0.25~0.4	0.25~0.4	0.25~0.4	0.25~0.4	0.25~0.4	0.25~0.4	0.25~0.4	0.25~0.4
Motor Power (Kw)	90-160	132-200	160-250	185-315	220-500	250-800	315-1000	400-1800